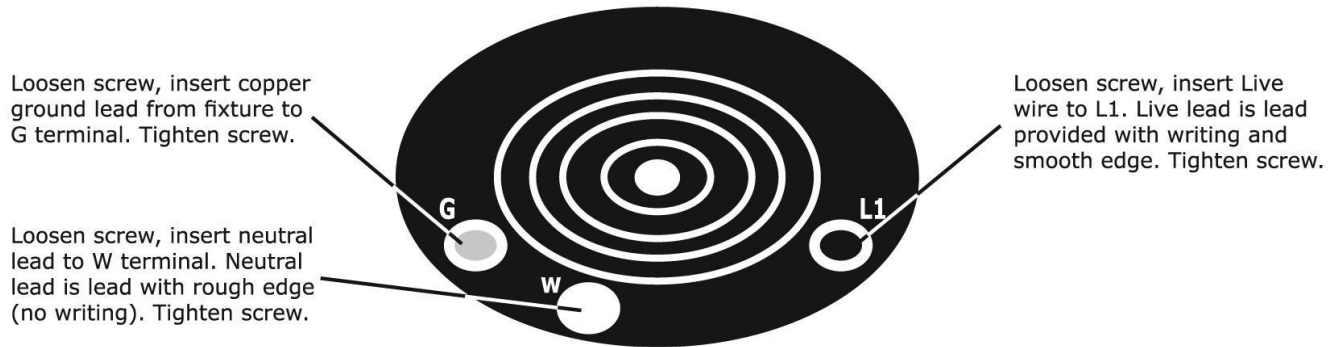


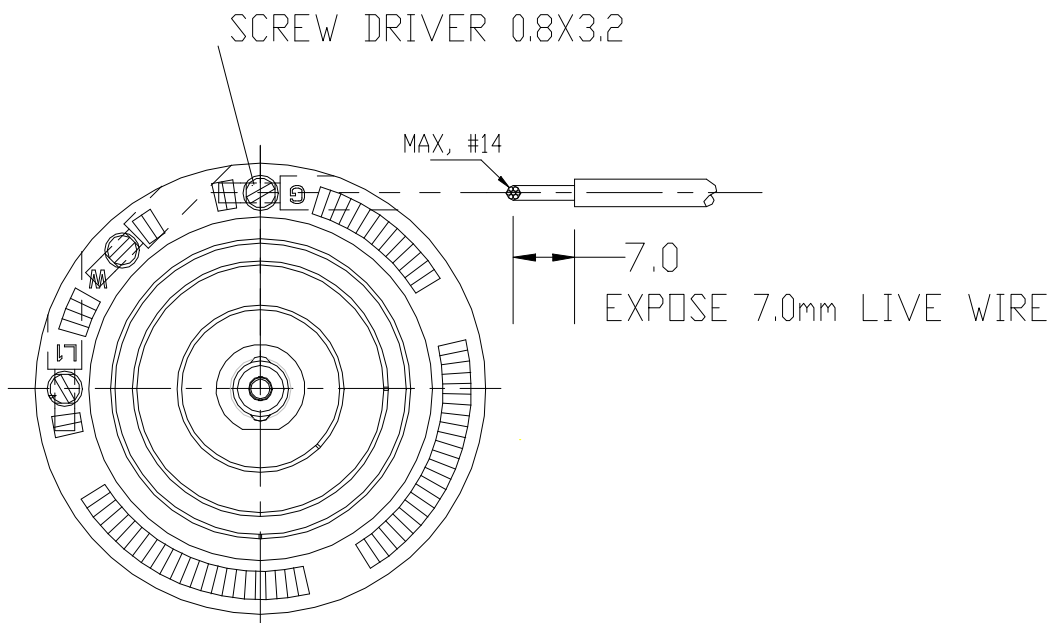


## WIRING DIAGRAM FOR MALE PLUG



Wire strip length = 3/16". Make sure wire is fully inserted into terminal - no exposed copper strands - only the jacketed cord should be visible.

**Set Screw Torque – 3.6 lb-in.**



**WIRE FOR PLUG**